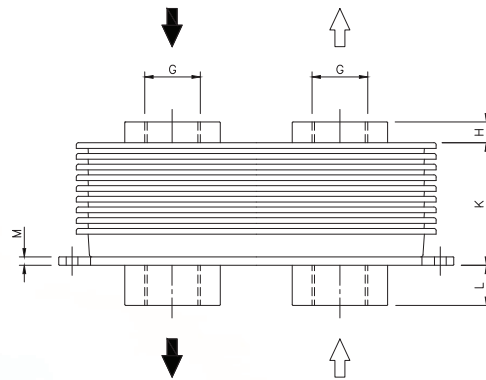
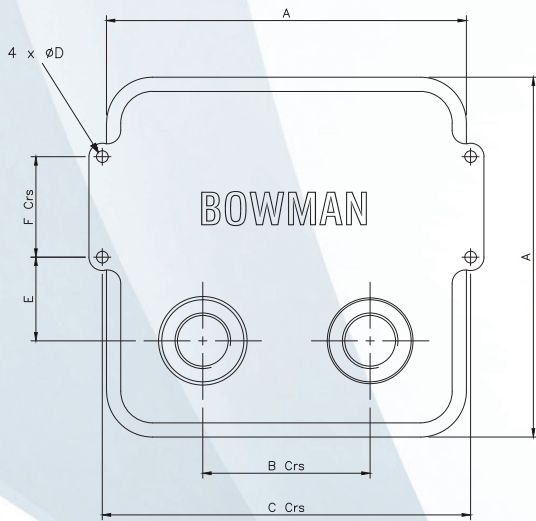


New and refurb installations

Bowman Non-storage Calorifiers are ideal for installations where an existing heating system is being upgraded with a new, independent primary heat source which, for operational requirements, must be kept separate from the original circuit.



Type	Weight kg	Dimensions										
		A mm	B mm	C mm	D mm	E mm	F mm	G BSP	H mm	K mm	L mm	M mm
10 – 13	1.1	106	50	-	-	25	-	1/2"	11	50	16	-
15 – 13	3.3	159	75	165	7	37.5	45	3/4"	12	74	20	4
15 – 17	3.7	159	75	165	7	37.5	45	3/4"	12	94	20	4
20 – 17	7.6	212	100	220	7	50	60	1"	12	123	24	5
25 – 29	18.8	265	125	275	9	62.5	75	1 1/4"	15	249	28	6

Typical performance of non-storage calorifiers based on a boiler water flow of 82°C (180°F) and return of 65°C (150°F) with a cold water inlet of 10°C (50°F) heated to 60°C (140°F).

Type	Technical Specifications					
	Boiler water pump flow	Head Loss	Secondary water pump flow	Head Loss	Heat Transfer	Volume of water heated from 10°C to 60°C per hour
	l/min	kPa	l/min	kPa	kW	litre
10 – 13	12	18	12	20	15	260
15 – 13	20	10	20	11	25	430
15 – 17	30	28	30	30	42	720
20 – 17	40	16	40	17	60	1000
20 – 17	55	28	55	30	70	1200
25 – 29	65	29	65	30	153	2500

Maximum working pressure 6 bar. Maximum working temperature 110°C

EJ Bowman (Birmingham) Ltd

Chester Street, Birmingham B6 4AP, UK
 Tel: +44 (0) 121 359 5401 Fax: +44 (0) 121 359 7495
 Email: info@ejbowman.co.uk www.ejbowman.co.uk



BS EN ISO 9001-2008
 Reg. No. FM38224



A World Leader in Heat Exchanger Technology