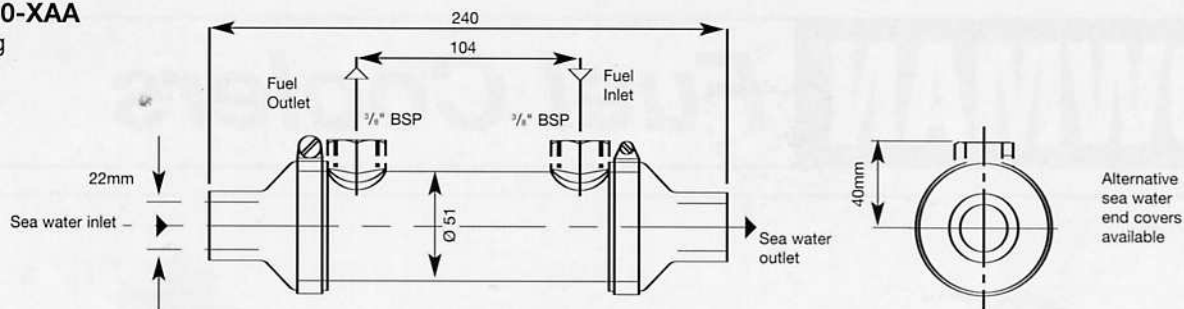
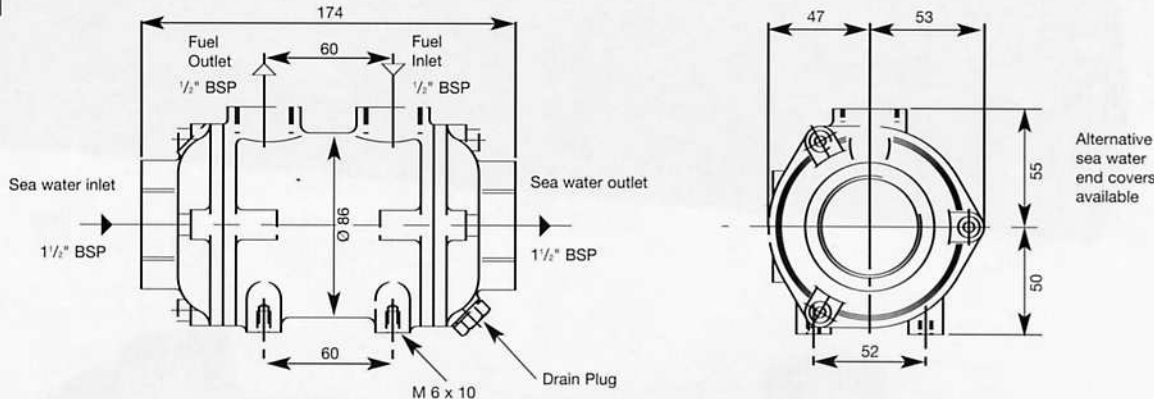


**DC60-XAA**

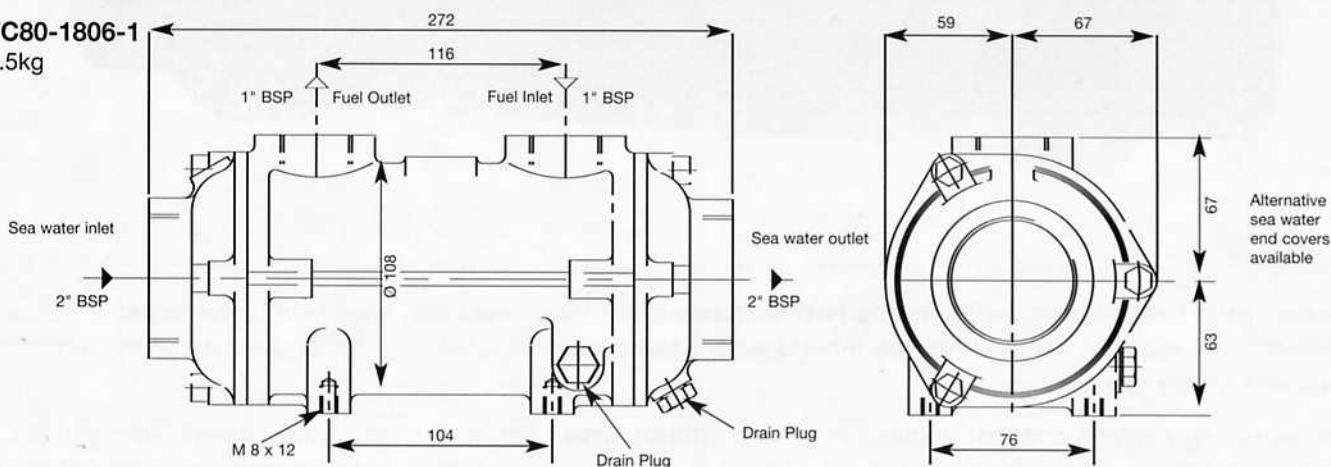
1.1kg

**MAXIMUM SEA WATER FLOW RATE 100 L/M (approximate engine power 215HP or 160kW)****EC80-1805-1**

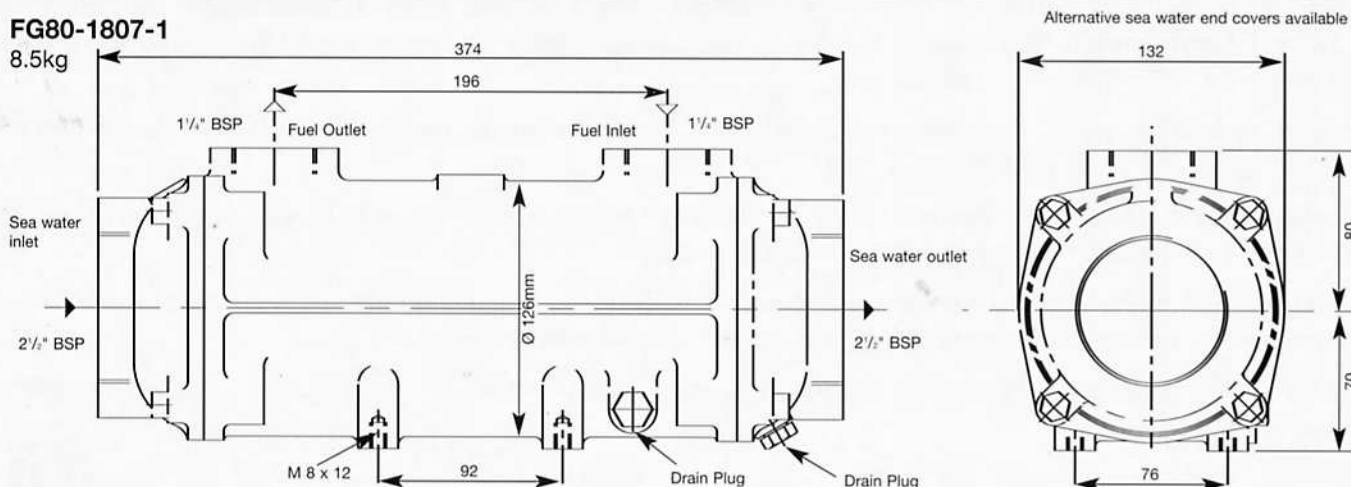
2.4kg

**MAXIMUM SEA WATER FLOW RATE 180 L/M (approximate engine power 400HP or 300kW)****FC80-1806-1**

5.5kg

**MAXIMUM SEA WATER FLOW RATE 270 L/M (approximate engine power 600HP or 450kW)****FG80-1807-1**

8.5kg

**MAXIMUM SEA WATER FLOW RATE 370 L/M (approximate engine power 830HP or 620kW)**

All dimensions in mm.