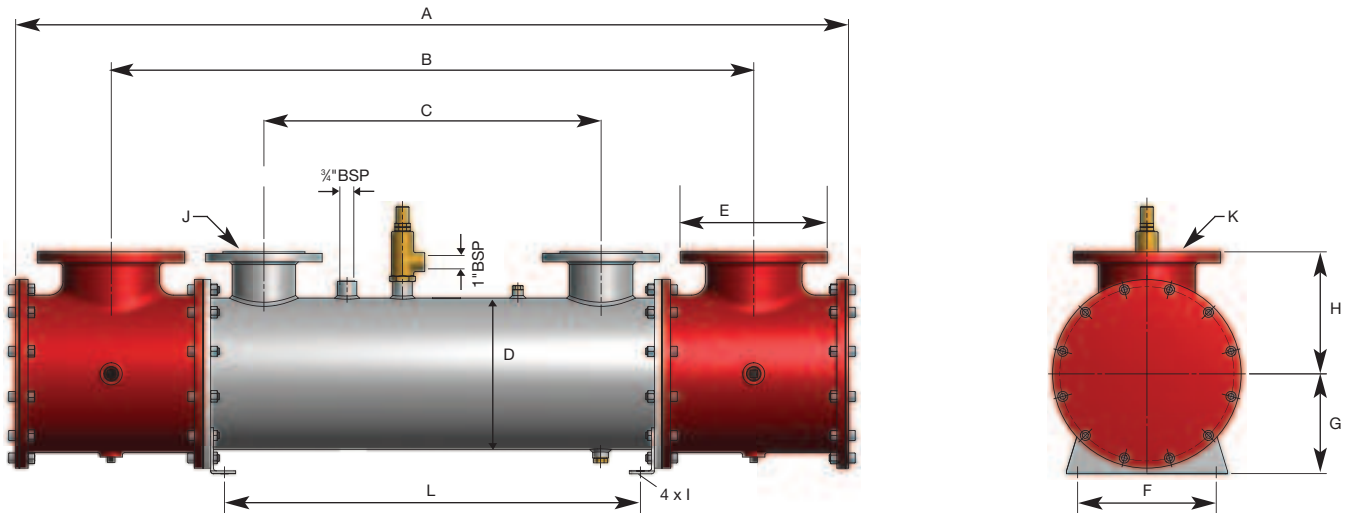


Part No.	A	B	C	D	E	F	G	H	I	J	K	L	kg
2-25-5837-4	mm	mm	mm	mm	mm	mm	mm	mm	mm	BSP	PN6 Flange	mm	
2-32-5837-5	922	774	540	60.3	100	75	83	75	9	3/4"	DN25*	584	13
3-32-5838-5	1100	952	718	60.3	100	75	83	75	9	3/4"	DN25*	762	16
3-32-5838-5	1200	1002	718	89	140	60	75	85	9	1"	DN50*	762	24
3-40-5838-6	1402	1204	920	89	140	60	75	85	9	1"	DN50*	964	27
3-60-5838-8	1910	1712	1428	89	140	60	75	85	9	1"	DN50*	1472	33
4-32-5839-5	1238	1018	698	114	160	80	90	100	9	1 1/2"	DN65*	762	33
4-40-5839-6	1440	1220	900	114	160	80	90	100	9	1 1/2"	DN65*	964	37
4-60-5839-8	1948	1728	1408	114	160	80	90	100	9	1 1/2"	DN65*	1472	51
5-32-5840-5	1304	1052	688	141	190	100	105	120	11	2"	DN80*	762	50
5-40-5840-6	1506	1254	890	141	190	100	105	120	11	2"	DN80*	964	54
5-60-5840-8	2014	1762	1398	141	190	100	105	120	11	2"	DN80*	1472	62



Part No.	A	B	C	D	E	F	G	H	I	J	K	L	kg
6-32-5841-5	mm	mm	mm	mm	mm	mm	mm	mm	mm	PN6 Flange	PN6 Flange	mm	
6-40-5841-6	1364	1082	668	168	210	130	120	140	11	DN60*	DN100*	762	68
6-60-5841-8	1566	1284	870	168	210	130	120	140	11	DN60*	DN100*	964	70
8-32-5842-5	2074	1792	1378	168	210	130	120	140	11	DN60*	DN100*	1472	92
8-32-5842-5	1428	1112	648	219	240	180	150	180	14	DN80*	DN125*	752	116
8-40-5842-6	1630	1314	850	219	240	180	150	180	14	DN80*	DN125*	954	129
8-60-5842-8	2138	1822	1358	219	240	180	150	180	14	DN80*	DN125*	1462	147
10-32-5843-5	1528	1162	608	273	265	250	180	220	14	DN100*	DN150*	752	173
10-40-5843-6	1730	1364	810	273	265	250	180	220	14	DN100*	DN150*	954	186
10-60-5843-8	2238	1872	1318	273	265	250	180	220	14	DN100*	DN150*	1462	222
12-32-5844-5	1716	1252	538	324	320	300	220	270	18	DN150*	DN200*	738	260
12-40-5844-6	1534	1454	740	324	320	300	220	270	18	DN150*	DN200*	940	278
12-60-5844-8	2042	1962	1248	324	320	300	220	270	18	DN150*	DN200*	1448	320
15-40-5845-6	2076	1531	680	406.4	375	350	280	330	18	PN16 DN150*	DN250*	928	467
15-60-5845-8	2584	2039	1188	406.4	375	350	280	330	18	PN16 DN150*	DN250*	1436	574

*Flange specification in accordance with BS EN1092 - 1:2007 (BS 4504-6).