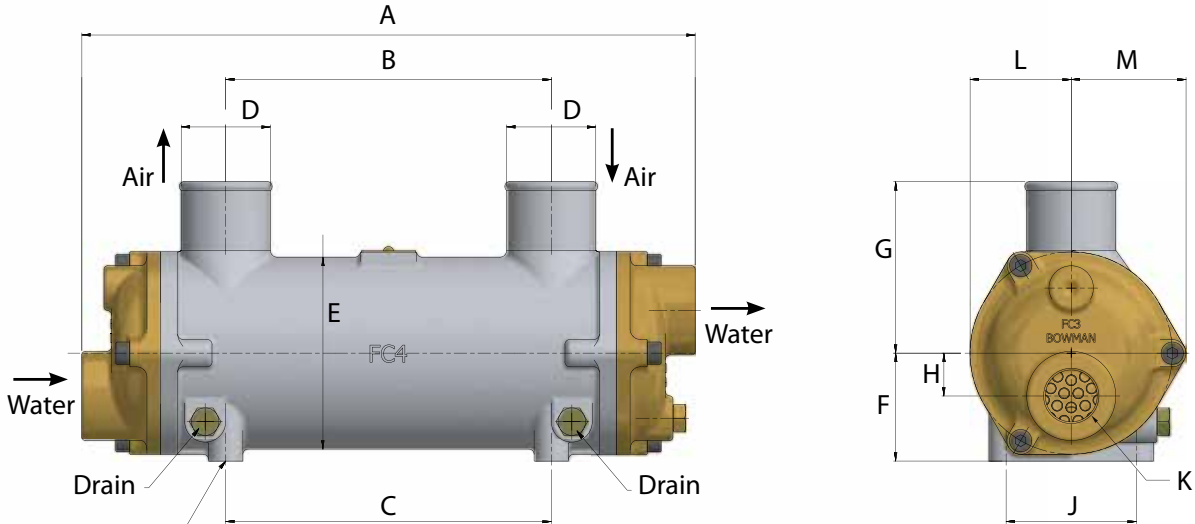


Charge Air Cooler Dimensions

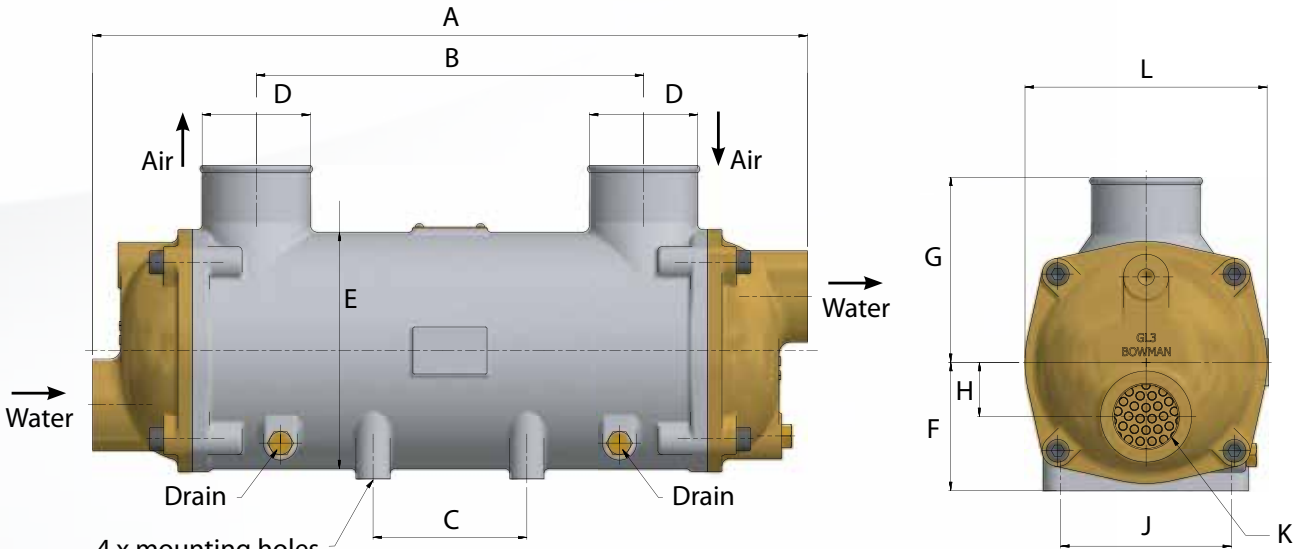
EC140 / FC100



4 x mounting holes
M8 x 12mm

TYPE	A	B	C	D	E	F	G	H	J	K	L	M
	mm	mm	mm	mm	mm	mm	mm	mm	mm	BSP	mm	mm
EC140	444	312	288	52	94	55	85	20	52	3/4"	47	53
FC100	358	190	190	52	112	63	100	25	76	1"	59	67

FG100 / GL140 / GK190



4 x mounting holes
FG100 - M8 x 12mm
GL140 - M10 x 15mm
GK190 - M12 x 18mm

TYPE	A	B	C	D	E	F	G	H	J	K	L
	mm	mm	mm	mm	mm	mm	mm	mm	mm	BSP	mm
FG100	472	272	190	76	132	70	110	32	76	1 1/4"	132
GL140	502	272	108	76	166	90	130	38	120	1 1/2"	170
GK190	674	370	236	89	206	110	180	50	120	2"	206