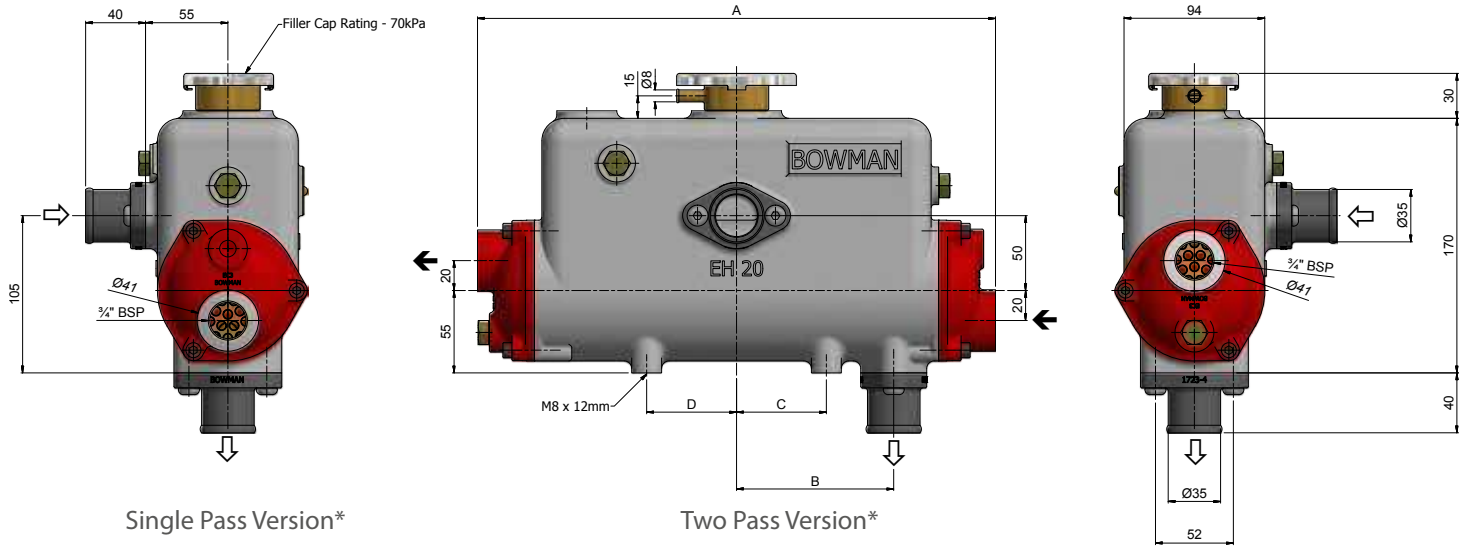


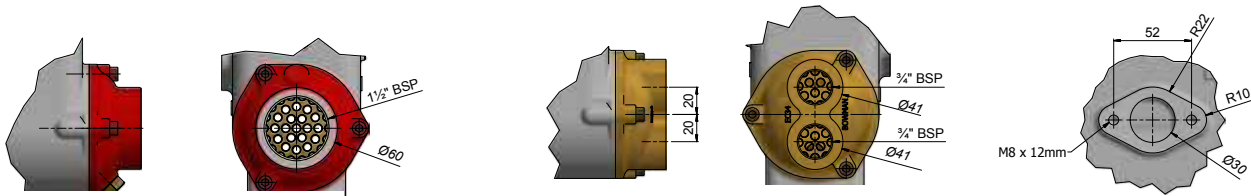
EH Range

Three Pass Version



Single Pass Version*

Two Pass Version*



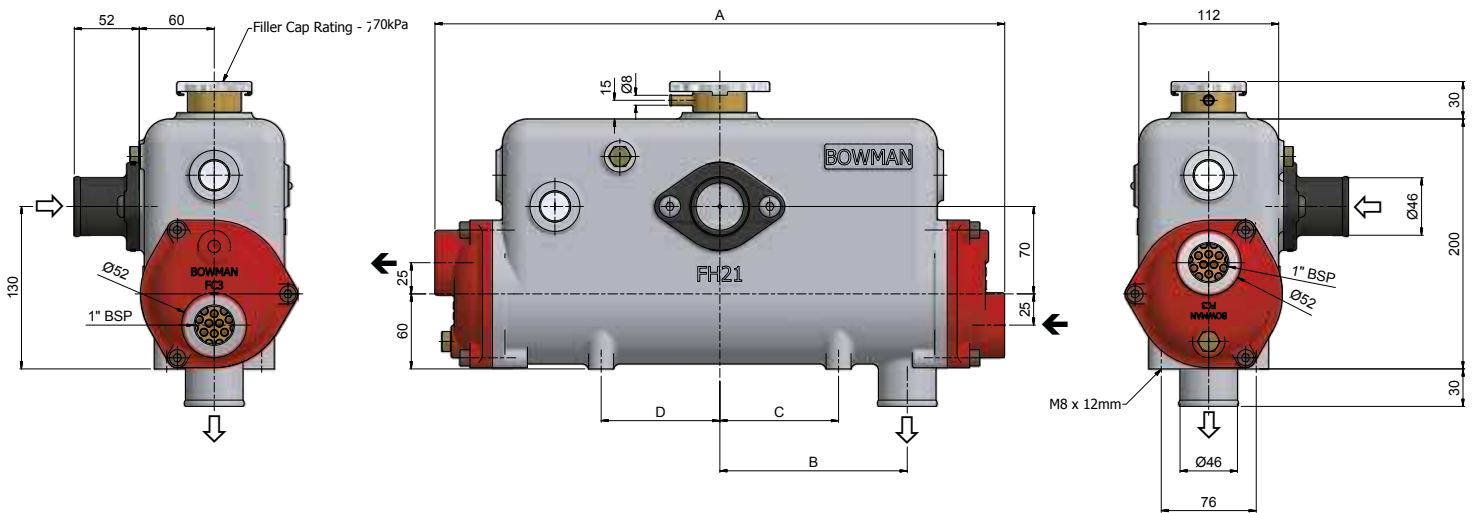
Engine Water Inlet & Outlet Flange Detail Without Hose Adaptor

← Raw Water Flow
 ⇨ Engine Water Flow

Type	Weight	A	B	C	D
EH100	5kg	260mm	62mm	20mm	60mm
EH200	6kg	346mm	105mm	60mm	60mm

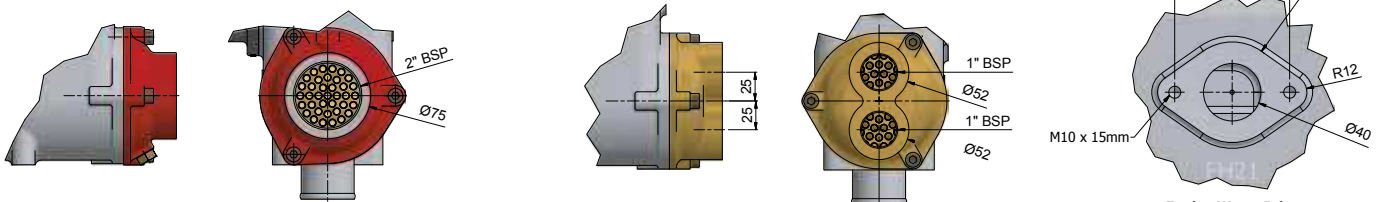
FH Range

Three Pass Version



Single Pass Version*

Two Pass Version*



Engine Water Inlet Flange Detail Without Hose Adaptor

← Raw Water Flow
 ⇨ Engine Water Flow

Type	Weight	A	B	C	D
FH100	8kg	358mm	100mm	45mm	95mm
FH200	11kg	454mm	150mm	95mm	95mm

* These units are available at extra cost and with slightly longer lead times.