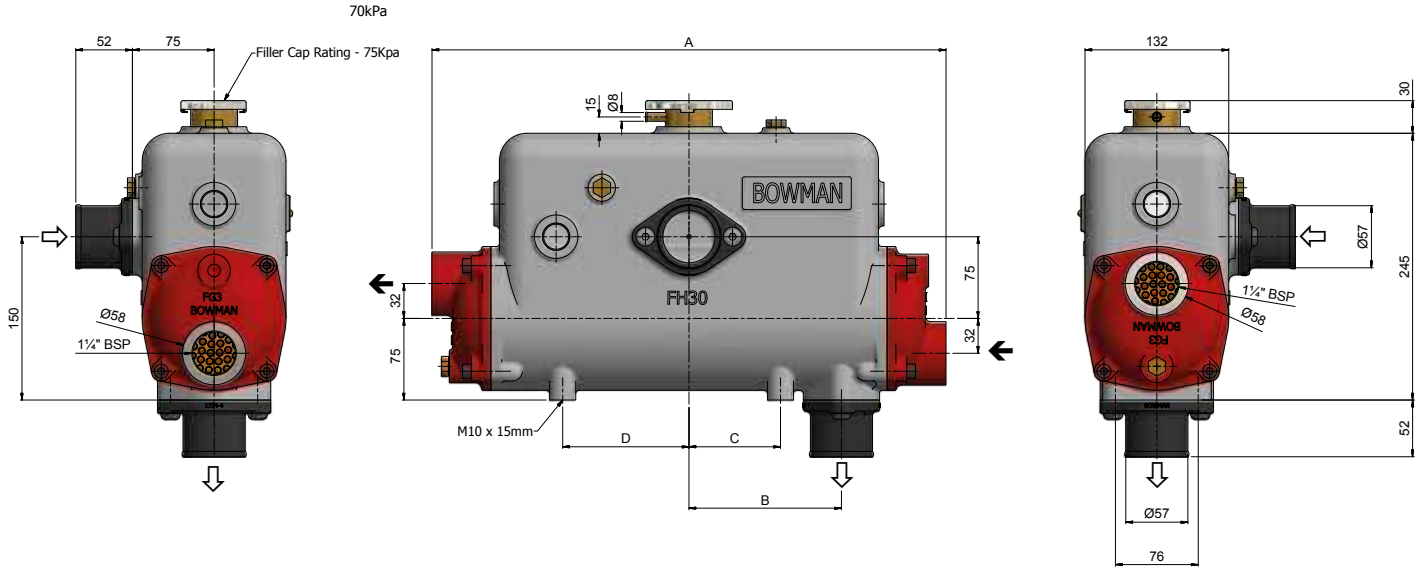


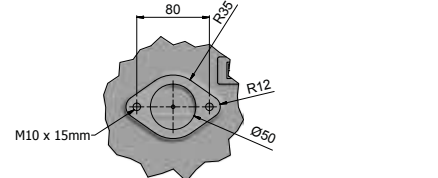
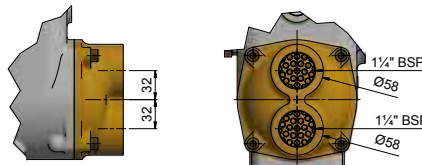
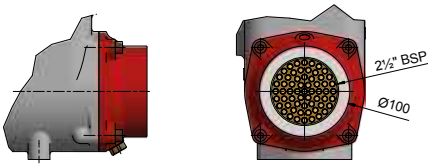
# FH Range continued

## Three Pass Version

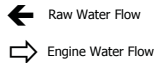


Single Pass Version\*

Two Pass Version\*



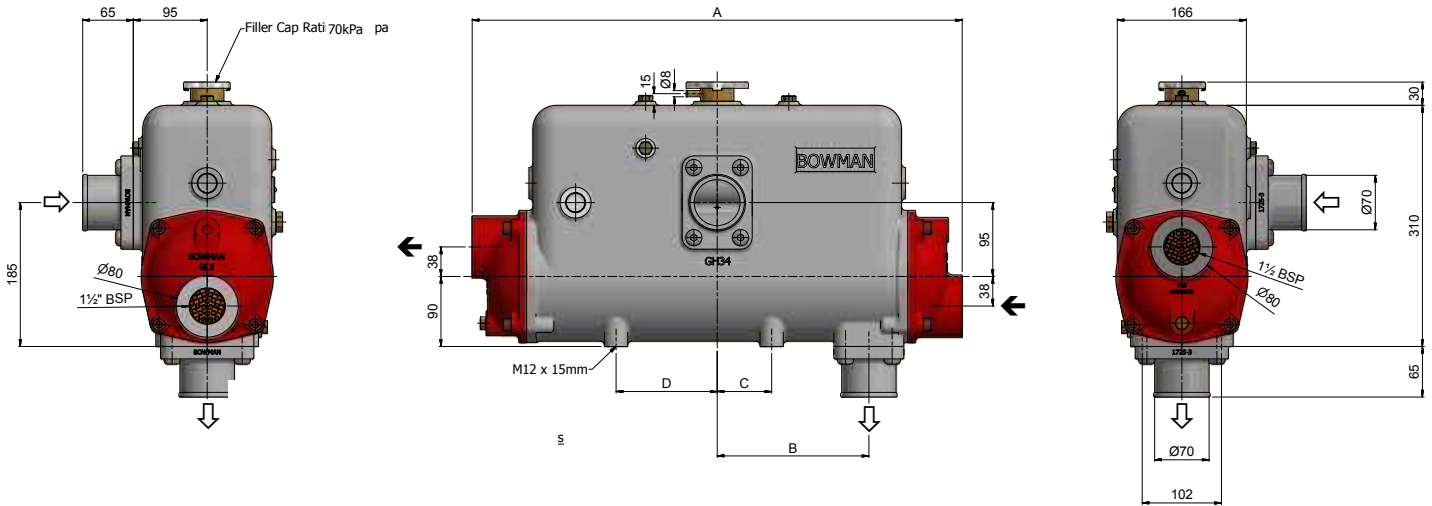
Engine Water Inlet & Outlet Flange Detail Without Hose Adaptor



| Type  | Weight | A     | B     | C     | D     |
|-------|--------|-------|-------|-------|-------|
| FH300 | 14kg   | 472mm | 140mm | 84mm  | 116mm |
| FH400 | 17kg   | 600mm | 200mm | 144mm | 144mm |

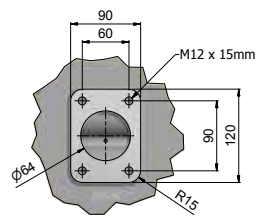
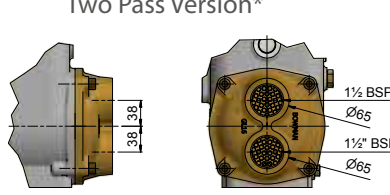
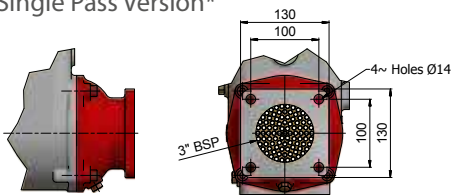
# GH Range

## Three Pass Version

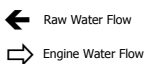


Single Pass Version\*

Two Pass Version\*



Engine Water Inlet & Outlet Flange Detail Without Hose Adaptor



| Type  | Weight | A     | B     | C     | D     |
|-------|--------|-------|-------|-------|-------|
| GH200 | 25kg   | 502mm | 135mm | 70mm  | 130mm |
| GH300 | 30kg   | 630mm | 195mm | 70mm  | 130mm |
| GH400 | 35kg   | 776mm | 270mm | 146mm | 200mm |

\* These units are available at extra cost and with slightly longer lead times.